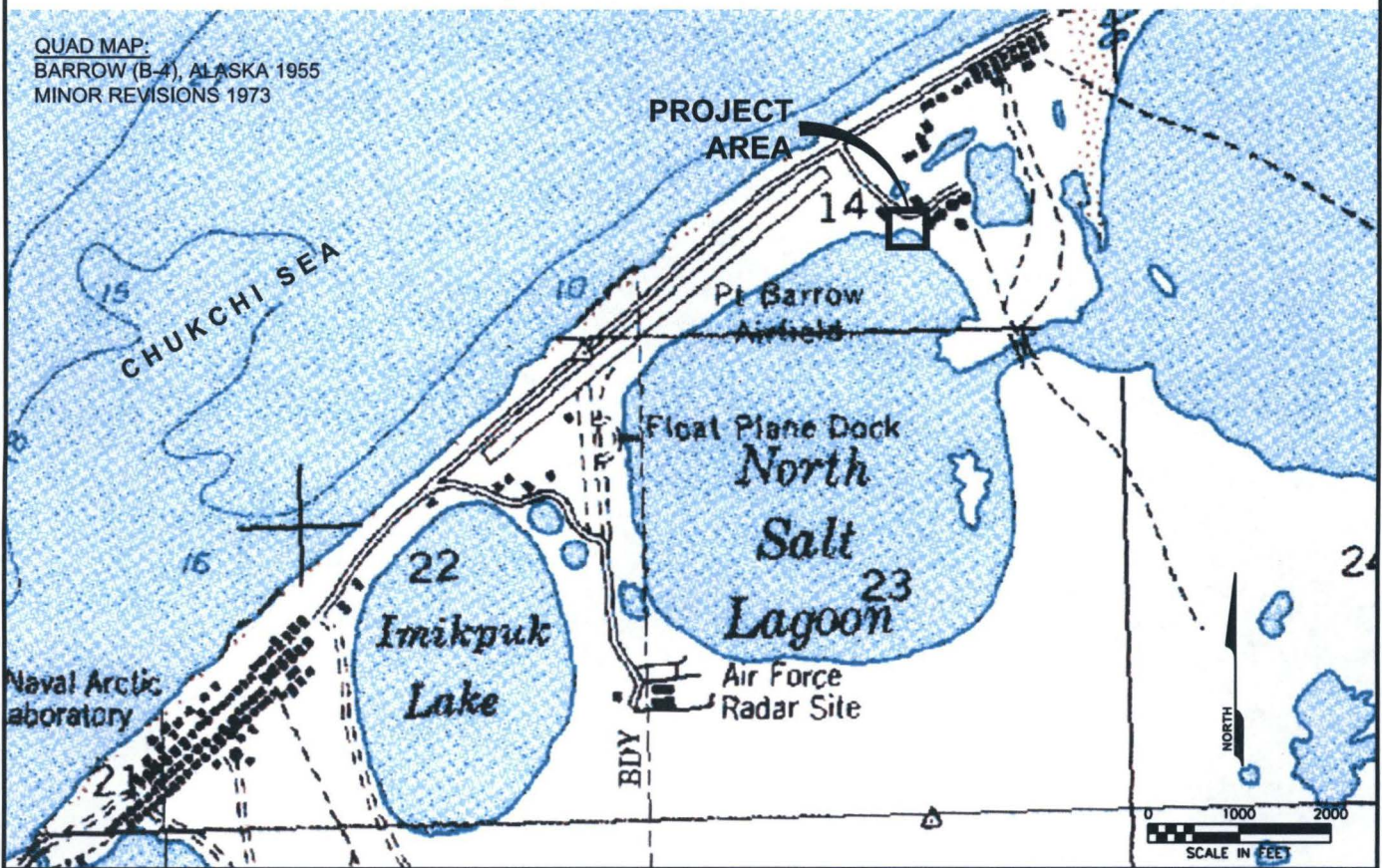
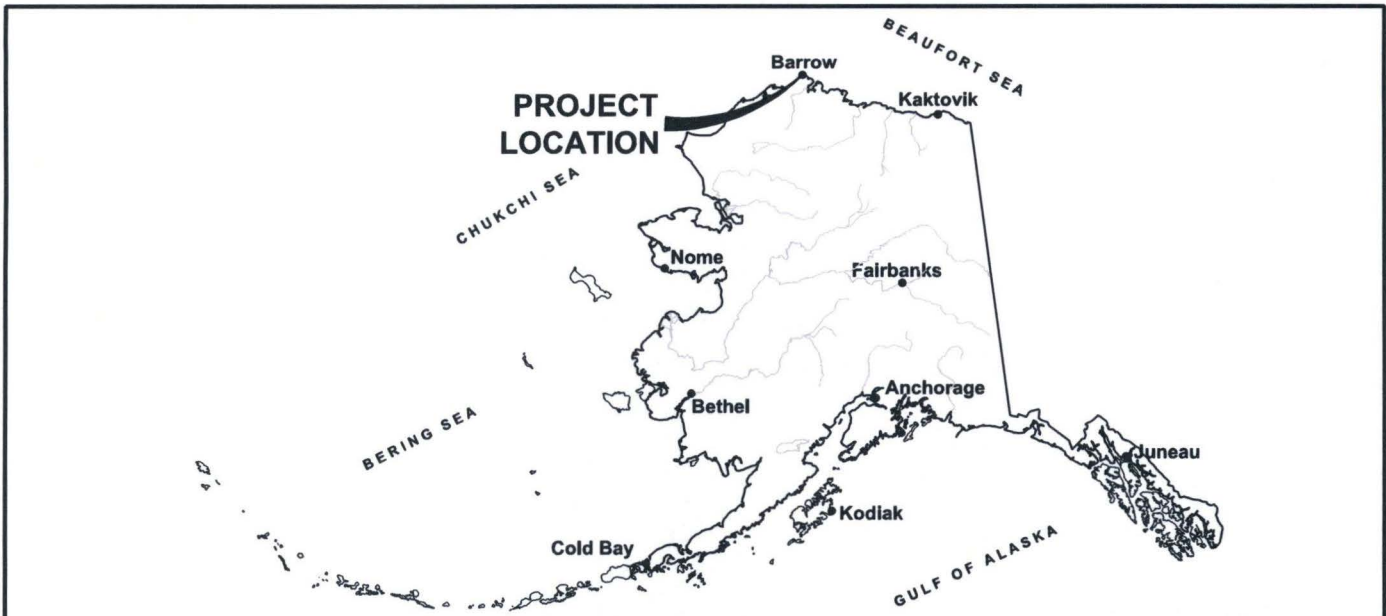


PLOTTING DATE: 11/1/13 (13:42) BY: margaret.hinz-neeson

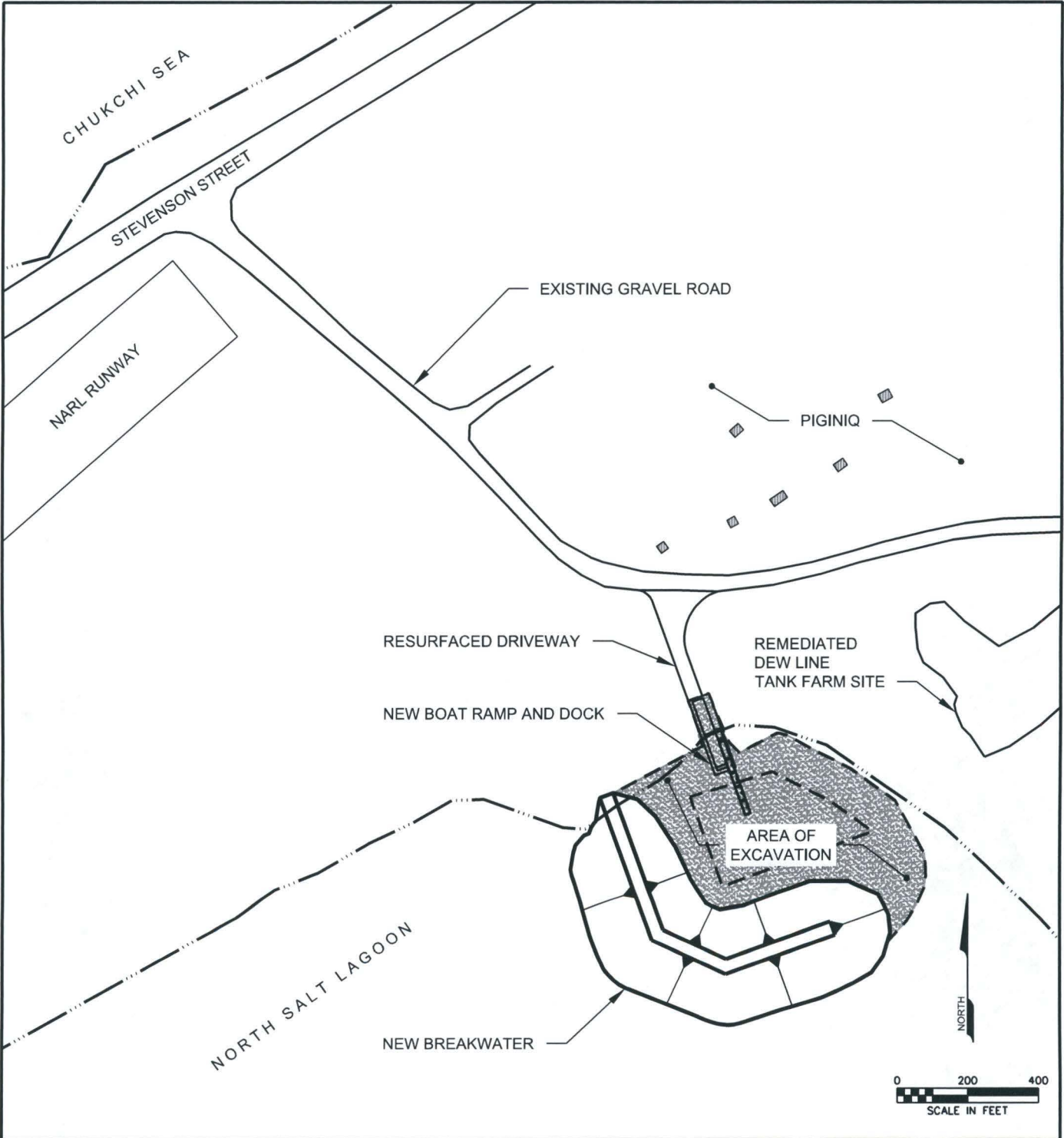
AUTOCAD DRAWING NAME: 70093.13 COE F01.dwg



<p><b>PURPOSE:</b> NEW BOAT LAUNCH</p> <p><b>ADJACENT PROPERTY OWNERS:</b> U.S. DEPARTMENT OF THE NAVY</p>	<p><b>LOCATION AND VICINITY MAP</b></p> <p><b>APPLICANT/AGENT:</b> UICC</p> <p><b>AGENT:</b> UMIAQ 6700 ARCTIC SPUR ROAD ANCHORAGE, ALASKA 99518</p>	<p><b>UICC</b> <b>BARROW BOAT LAUNCH</b></p> <p><b>BARROW, ALASKA</b></p> <p>S: 14 T: 23N R: 18W M: UMIAT LAT: N71°20'30" LONG: W156°36'48"</p> <p>DATE: 10/24/2013 SHEET: 1 OF 7</p>
--	--	---

PLOTTING DATE: 11/4/13 (14:10) BY: margaret.hinz-neason

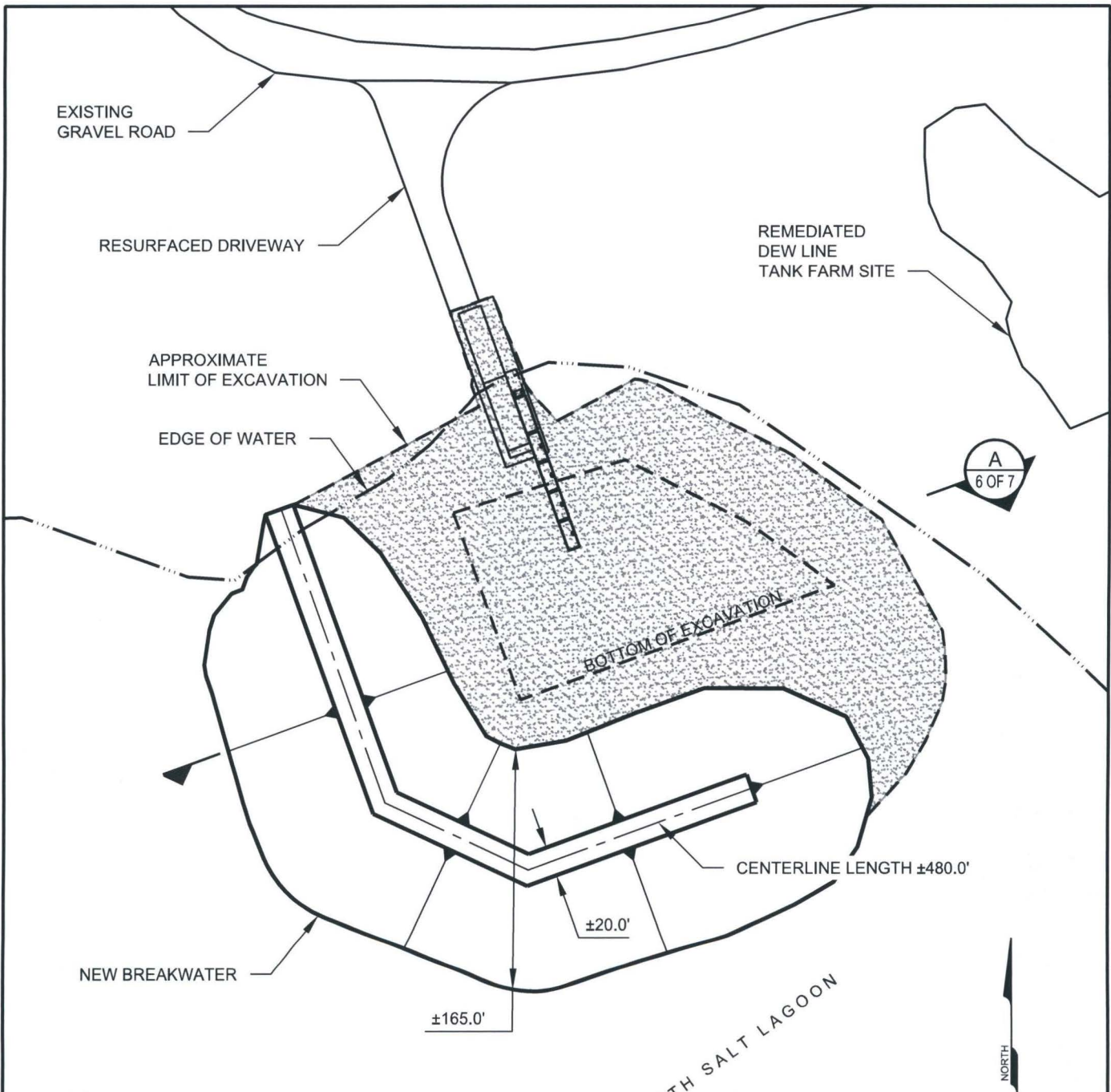
AUTOCAD DRAWING NAME: 70093.13 COE F02-3.dwg



<b>PURPOSE:</b> NEW BOAT LAUNCH  <b>ADJACENT PROPERTY OWNERS:</b> U.S. DEPARTMENT OF THE NAVY	<b>PROJECT OVERVIEW</b>	UICC BARROW BOAT LAUNCH BARROW, ALASKA
	<b>APPLICANT/AGENT:</b> UICC  <b>AGENT:</b> UMIQA 6700 ARCTIC SPUR ROAD ANCHORAGE, ALASKA 99518	S: 14 T: 23N R: 18W M: UMIAT LAT: N71°20'30" LONG: W156°36'48" DATE: 10/24/2013 SHEET: 2 OF 7

PLOTTING DATE: 11/4/13 (14:10) BY: margaret.hinz-neason

AUTOCAD DRAWING NAME: 70093.13 COE\_F02-3.dwg



A  
6 OF 7

**NOTES:**

BREAKWATER FILL AREA = 1.87 ACRES

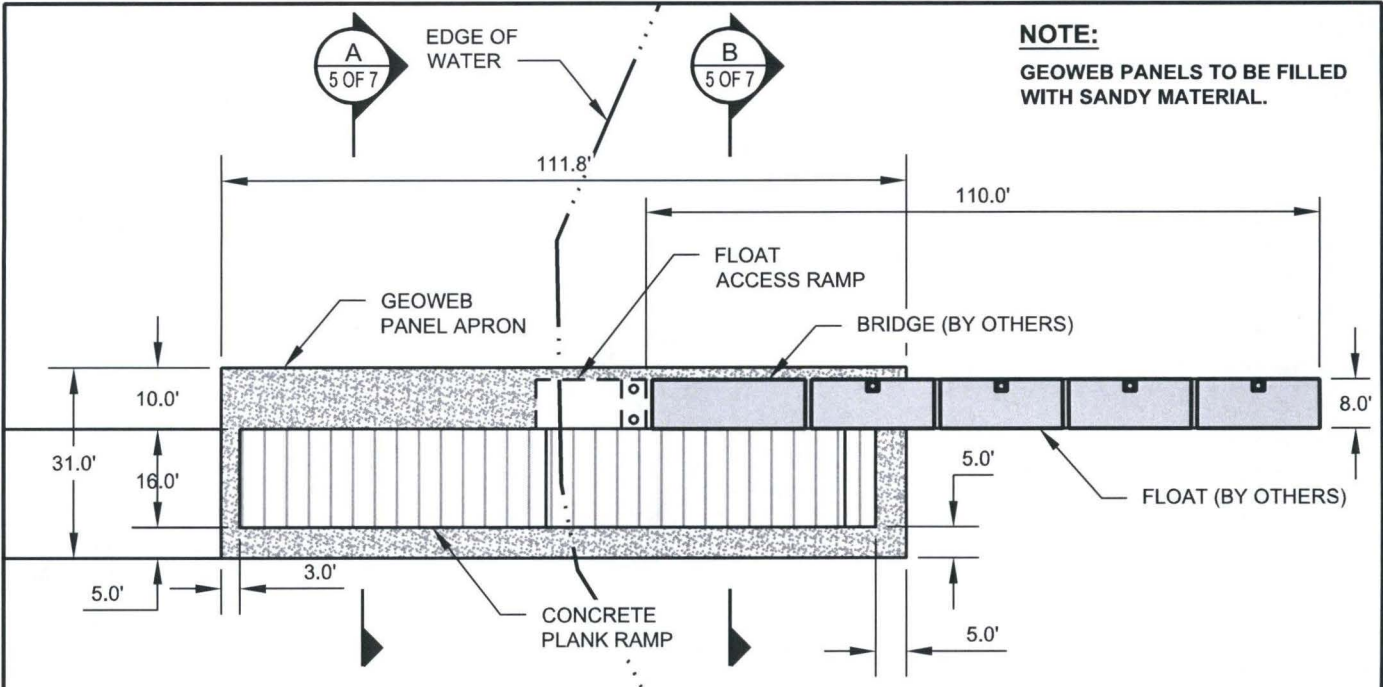
BREAKWATER FILL VOLUME = 8131 CUBIC YARDS

<b>PURPOSE:</b> NEW BOAT LAUNCH  <b>ADJACENT PROPERTY OWNERS:</b> U.S. DEPARTMENT OF THE NAVY	<b>BREAKWATER LAYOUT</b>		UICC BARROW BOAT LAUNCH BARROW, ALASKA  S: 14 T: 23N R: 18W M: UMIAT LAT: N71°20'30" LONG: W156°36'48"
	<b>APPLICANT/AGENT:</b> UICC  <b>AGENT:</b> UMIAT 6700 ARCTIC SPUR ROAD ANCHORAGE, ALASKA 99518		

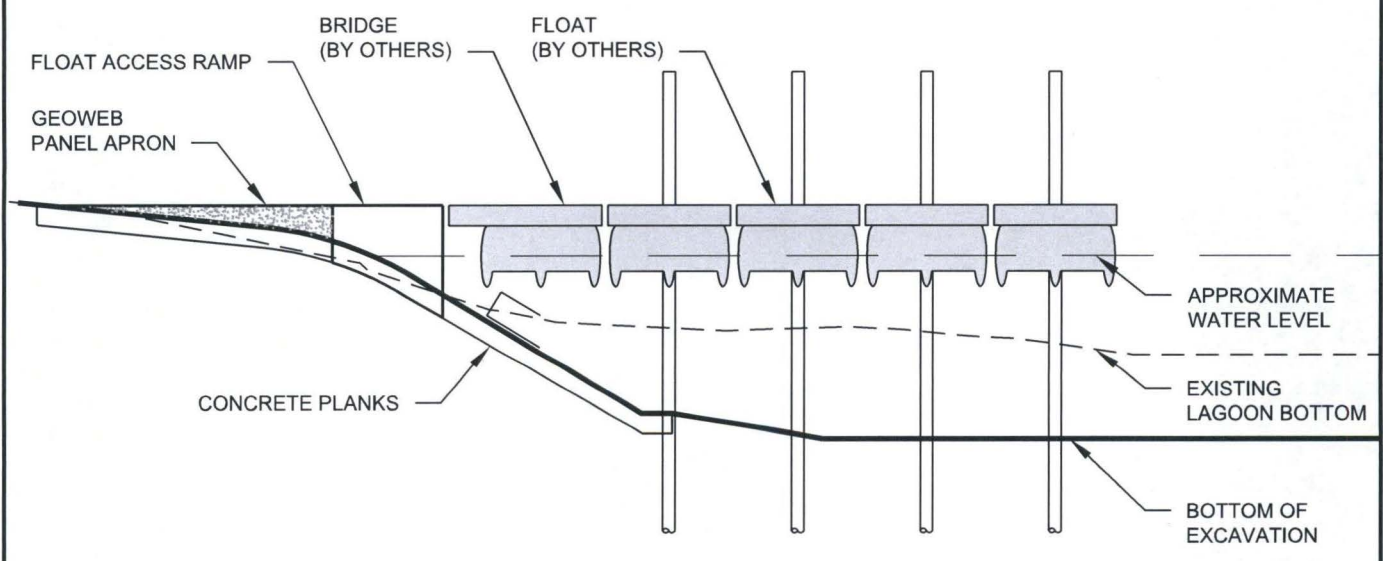
PLOTTING DATE: 11/1/13 (13:42) BY: margaret.hinz-neason

AUTOCAD DRAWING NAME: 70093.13 COE F04-5.dwg

**NOTE:**  
**GEOWEB PANELS TO BE FILLED WITH SANDY MATERIAL.**



**BOAT RAMP & DOCK PLAN VIEW**

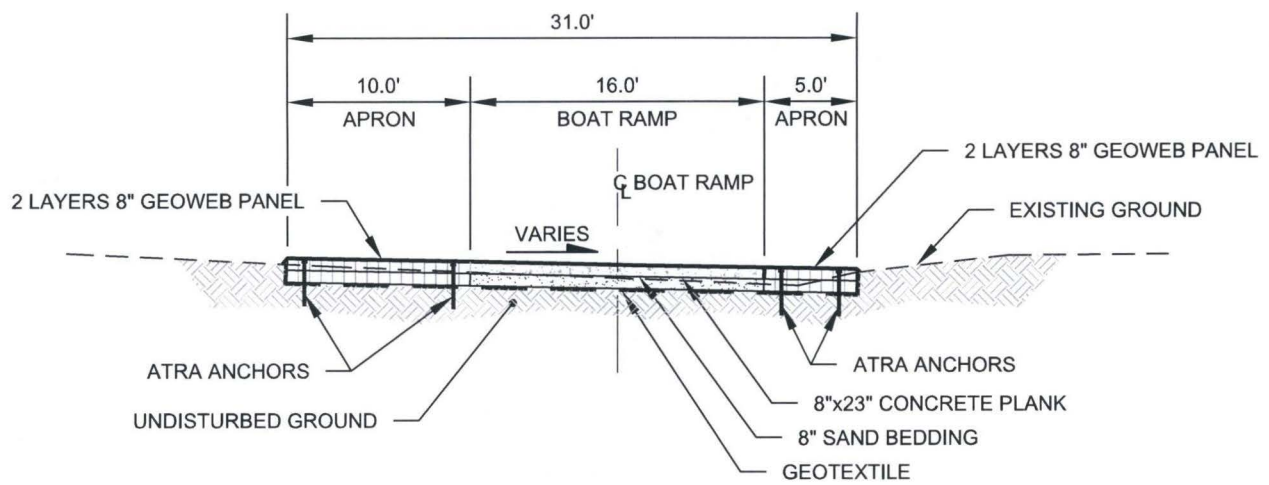


**BOAT RAMP & DOCK SECTION VIEW**

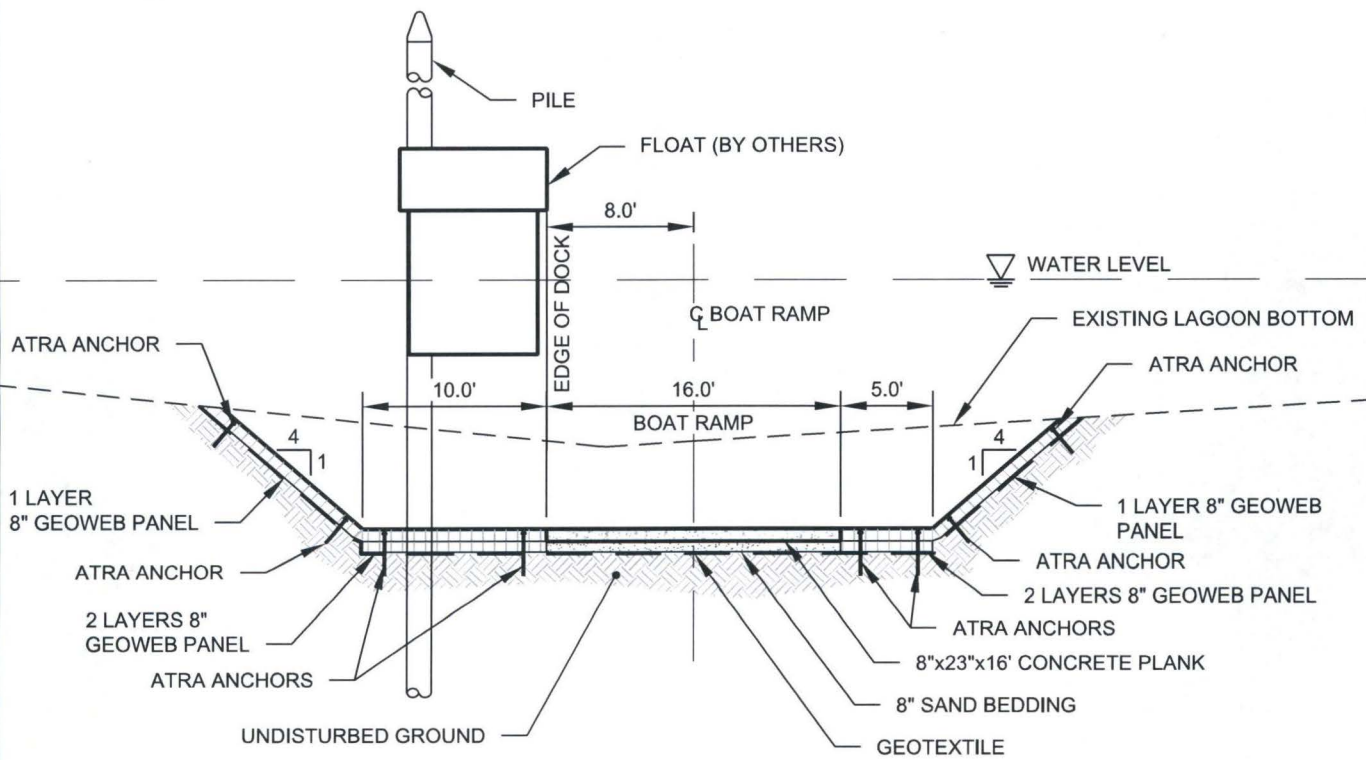
<b>PURPOSE:</b> NEW BOAT LAUNCH  <b>ADJACENT PROPERTY OWNERS:</b> U.S. DEPARTMENT OF THE NAVY	<b>BOAT RAMP &amp; DOCK PLAN &amp; SECTION</b>	<b>UICC</b> <b>BARROW BOAT LAUNCH</b>
	<b>APPLICANT/AGENT:</b> UICC  <b>AGENT:</b> UMIAQ 6700 ARCTIC SPUR ROAD ANCHORAGE, ALASKA 99518	<b>BARROW, ALASKA</b>  S: 14 T: 23N R: 18W M: UMIAT LAT: N71°20'30" LONG: W156°36'48"
DATE: 10/24/2013		SHEET: 4 OF 7

PLOTTING DATE: 11/1/13 (13:42) BY: margaret.hinz-neason

AUTOCAD DRAWING NAME: 70093.13 COE F04-5.dwg



**A** BOAT RAMP SECTION ABOVE WATER  
5 OF 7 SCALE: NONE



**B** BOAT RAMP SECTION BELOW WATER  
5 OF 6 SCALE: NONE

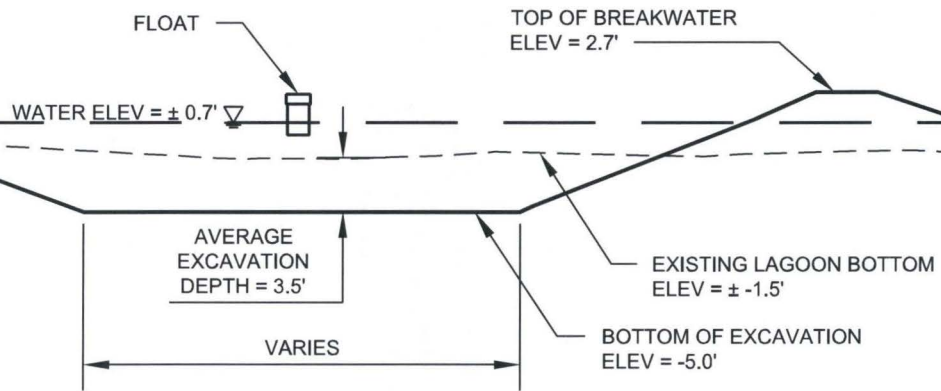
<b>PURPOSE:</b> NEW BOAT LAUNCH  <b>ADJACENT PROPERTY OWNERS:</b> U.S. DEPARTMENT OF THE NAVY	<b>BOAT RAMP SECTIONS</b> <b>APPLICANT/AGENT:</b> UICC	<b>UICC</b> <b>BARROW BOAT LAUNCH</b>  <b>BARROW, ALASKA</b>
	<b>AGENT:</b> UMIAQ 6700 ARCTIC SPUR ROAD ANCHORAGE, ALASKA 99518	S: 14 T: 23N R: 18W M: UMIAT LAT: N71°20'30" LONG: W156°36'48" DATE: 10/24/2013 SHEET: 5 OF 6

PLOTTING DATE: 11/1/13 (13:42) BY: margaret.hinz-reason

AUTOCAD DRAWING NAME: 70093.13 COE F06.dwg

**NOTE:**

ELEVATION ARE BASED ON THE LOCAL BARROW VERTICAL DATUM.



A  
6 OF 7

**EXCAVATION AND BREAKWATER SECTION**

SCALE: NONE

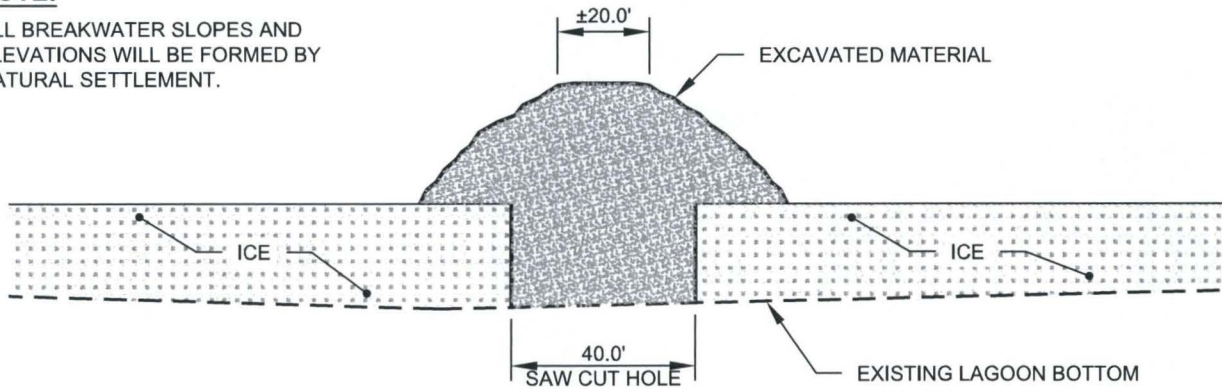
<b>PURPOSE:</b> NEW BOAT LAUNCH  <b>ADJACENT PROPERTY OWNERS:</b> U.S. DEPARTMENT OF THE NAVY	<b>EXCAVATION SECTION</b>	<b>UICC</b> BARROW BOAT LAUNCH
	<b>APPLICANT/AGENT:</b> UICC  <b>AGENT:</b> UMIAQ 6700 ARCTIC SPUR ROAD ANCHORAGE, ALASKA 99518	<b>BARROW, ALASKA</b>  S: 14 T: 23N R: 18W M: UMIAT LAT: N71°20'30" LONG: W156°36'48" DATE: 10/24/2013 SHEET: 6 OF 7

PLOTTING DATE: 11/1/13 (13:42) BY: margaret.hinz-neason

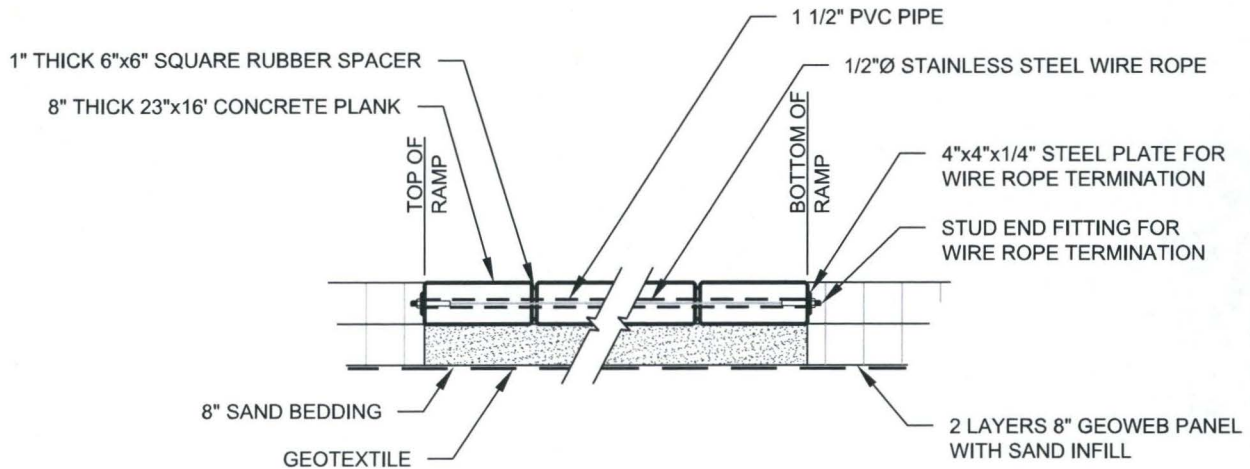
AUTOCAD DRAWING NAME: 70093.13 COE F07.dwg

**NOTE:**

ALL BREAKWATER SLOPES AND ELEVATIONS WILL BE FORMED BY NATURAL SETTLEMENT.



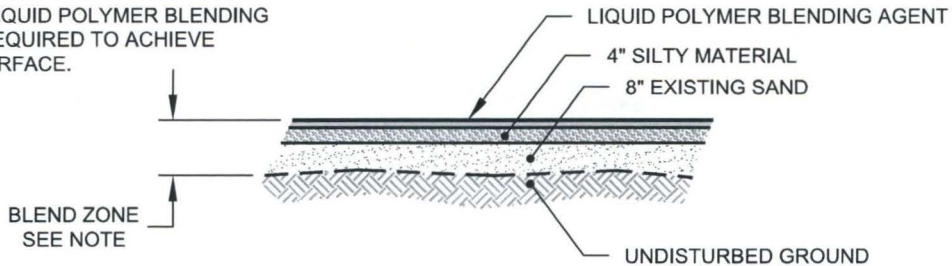
**BREAKWATER CONSTRUCTION DETAIL**



**CONCRETE PLANK DETAIL**

**NOTE:**

BLEND IMPORTED SILT WITH EXISTING SAND. ADD LIQUID POLYMER BLENDING AGENT AS REQUIRED TO ACHIEVE DURABLE SURFACE.



**DRIVEWAY SURFACE TREATMENT DETAIL**

<p><b>PURPOSE:</b> NEW BOAT LAUNCH</p>	<p><b>CONSTRUCTION DETAILS</b></p>		<p><b>UICC</b> <b>BARROW BOAT LAUNCH</b></p>
	<p><b>APPLICANT/AGENT:</b> UICC</p>		<p><b>BARROW, ALASKA</b></p>
<p><b>ADJACENT PROPERTY OWNERS:</b> U.S. DEPARTMENT OF THE NAVY</p>	<p><b>AGENT:</b> UMIAQ 6700 ARCTIC SPUR ROAD ANCHORAGE, ALASKA 99518</p>		<p>S: 14 T: 23N R: 18W M: UMIAT LAT: N71°20'30" LONG: W156°36'48"</p>
			<p>DATE: 10/24/2013 SHEET: 7 OF 7</p>